



TECHNICAL SPECIFICATIONS

TRANSFORMATÖR VE ELEKTRİK MONTAJ İNŞAATİ A.Ş.

Yüregir V.D. 859 115 6238

ORDER CONFIRMATION

Liquid Filled Hermetically Sealed Transformer

Elc. Eng. Ali SARTAK

07.03.2024

TECHNICAL SPECIFICATIONS

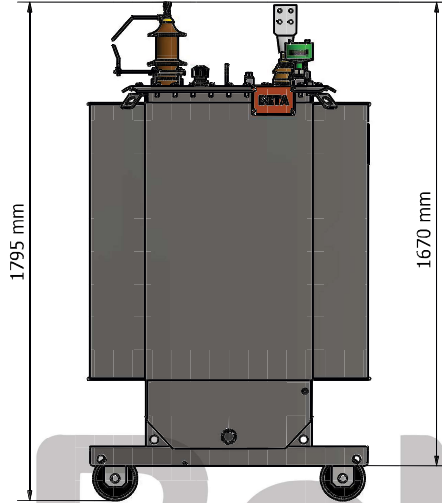
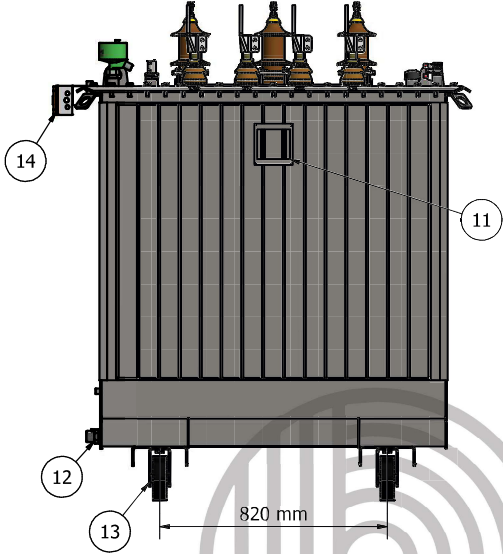
Rating Power:	800	kVA
Service:	Distribution	
Cooling:	ONAN	
Frequency:	50	Hz
Phase Number:	3	
Insulation Liquid:	Mineral Oil	
Type of Transformer:	<input checked="" type="checkbox"/> Hermetically Sealed <input type="checkbox"/> Oil Conservatory	
Standards:	IEC 60076	
Primary Voltage:	10 (Delta)	kV
Secondary Voltage:	0,4 (Star+N)	kV
High Voltage Regulation (Off Load Tap Changer):	5 pos (+2, -2 x 2,5%)	(9500 - 9750 - 10000 - 10250 - 10500)
Vector Group:	Dyn11	
Insulation Level at Primary Side:	LI 75 / AC 28 / Um 12	kV
Insulation Level at Secondary Side:	LI - / AC 5 / Um 1,1	kV
Windings Insulation Class:	A	
Primary/Secondary Windings Conductor:	Aluminum / Aluminum	
Designed Max. Ambient Temperature:	40	°C
Oil/Windings Temperature Rise:	60 / 65	K
Altitude of Installation:	≤ 1000	mt
Installation:	Indoor / Outdoor	
Surface Treatment:	RAL 7033	
Tank Construct:	Corrugated Wall	
Performance Values:		
No Load Loss:	585	W
Load Loss:	6000	W
Short Circuit Impedance:	6	%
Sound Pressure Level:	≤ 53	dB(A)
Transformer Overall Dimensions:		
Length:	1510	mm
Width:	1020	mm
Height:	1795	mm
Distance Base Center:	820	mm
Transformer Weights:		
Active:	1810	Kgs
Oil:	480	Kgs
Total:	2755	Kgs

TRANSFORMER ACCESSORIES

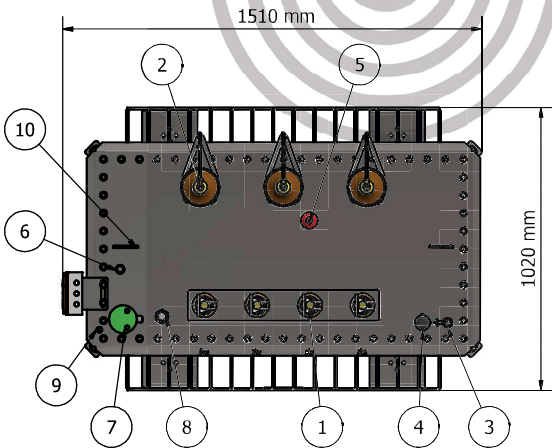
1. H.V. Porcelain Bushings 10 NF 250 A	11. Thermometer With Contact
2. L.V. Porcelain Bushings 1 kV 1250 A	12. Terminal Box
3. Earthing Terminals	13. Wheels
4. Thermometer Pocket	14. Oil Level Indicator
5. Lifting Lugs	15.
6. Oil Filling Valve	16.
7. Oil Drain Valve	17.
8. Rating Plate	18.
9. Off Load Tap Changer	19.
10. Pressure Safety Valve without Contacts	20.

Technical Remarks: Performance values are according to IEC 60076 and European Union Tests according to IEC 60076.
Dimensions and weights are ±10% tolerated.
Warranty referred at nominal power rating and nominal voltage ratio (the highest in case of double primary voltages)
Sound pressure level referred at 300 mm and ONAN/ONAF cooling, +3 dB tolerated.

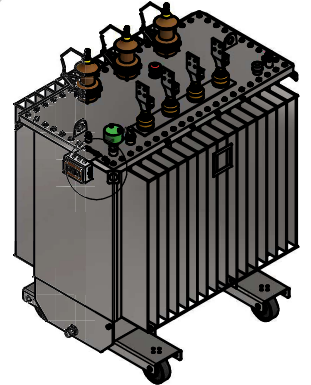
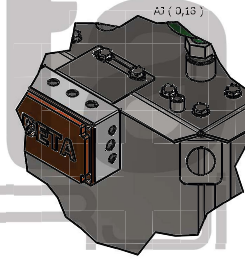
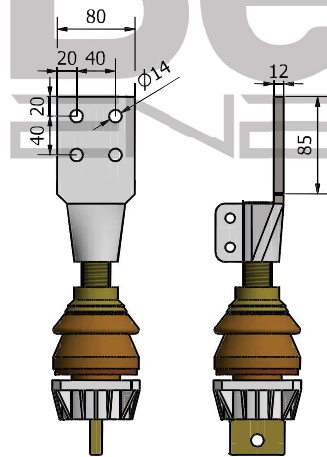
This presentation is protected by international copyright laws. Reproduction and distribution of the presentation without written permission of the sponsor strictly prohibited. ©Beta Transformers



800 kVA 10-0,4 kV		
NO	NAME	PCS
1	L.V. PORCELAIN BUSHING 1 kV 1250 A	4
2	H.V. PORCELAIN BUSHING 10 NF 250 A	3
3	OIL FILLING VALVE	1
4	PRESSURE SAFETY VALVE	1
5	OFF LOAD TAP CHANGER	1
6	THERMOMETER POCKET	1
7	THERMOMETER WITH CONTACT	1
8	OIL LEVEL INDICATOR	1
9	EARTHING TERMINAL	3
10	LIFTING LUGS	2
11	RATING PLATE	1
12	OIL DRAIN VALVE FOR MAIN TANK	1
13	WHEELS	4
14	TERMINAL BOX	1



L.V. BUSHING DETAIL



BETA ENERJİ VE TEKNOLOJİ ANONİM ŞİRKETİ
 Akadik
 BİT
 Falekçü Sok. no: 42-30- merkezi nicelikler/şişli/şişli
 Yürüğe V.D. 859 115 0239

TOTAL WEIGHT: 2755 KGs
 ACTIVE WEIGHT: 1810 KGs
 OIL WEIGHT: 480 KGs

Şirketin Adı: FAKORİKMAZ	Şirketin Adı: E.MAHMUTOĞLU	Şirketin Adı: A.SARTAK	Şirketin Adı: A.TAŞ	Şirketin Adı: 07.03.2024
800 kVA 10-0,4 kV				
Beta				